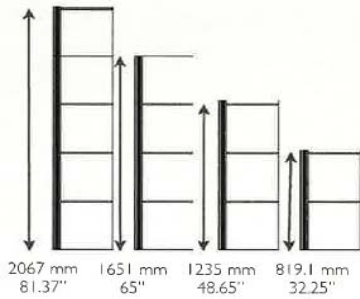


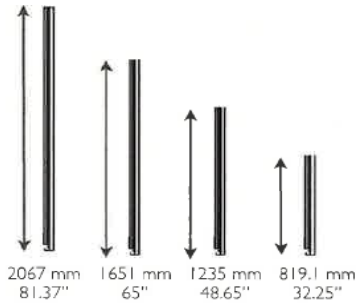
## Skywall Frames: The frame height can vary by 2 panel high to 5 panel high and can be combined to reach a variety of heights



Model	MRSP
<b>Sky2</b> - B,G,S, W or C (letter denotes color of extrusion)	\$199.00
<b>Sky3</b> - B,G,S, W or C	\$249.00
<b>Sky4</b> - B,G,S, W or C	\$299.00
<b>Sky5</b> - B,G,S, W or C	\$349.00

Stock Finishes are **Black**, **Graphite**, **Silver** and **White** and **Custom** finish available.

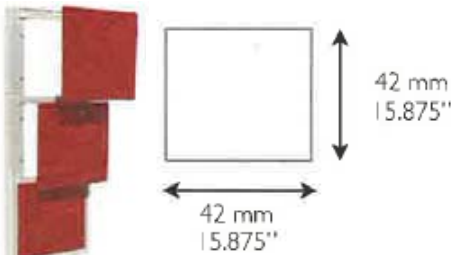
## Skywall End Extrusion: single unit required to complete the frame system in matching height



Model	MRSP
<b>Sky1S2</b> or B,G,W or C (letter denotes color of extrusion)	\$99.00
<b>Sky1S3</b> - B,G, W or C	\$109.00
<b>Sky1S4</b> - B,G, W or C	\$159.00
<b>Sky1S5</b> - B,G, W or C	\$199.00

Stock Finishes are **Black**, **Graphite**, **Silver** and **White** and **Custom** finish available.

## Skywall Panels: Customize the look of the Skywall with the panels.



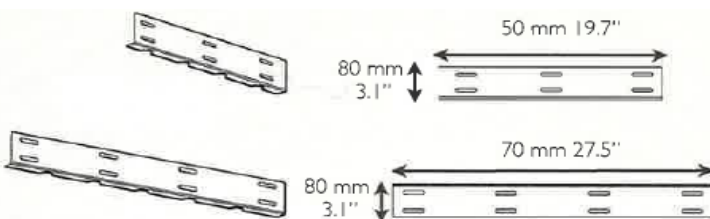
Model	MRSP
<b>SkyP</b> - M, C, WA Maple, Cherry or Walnut real wood veneer	\$59.00
<b>SkyP-mel</b> melamine colored veneers	\$69.00
<b>SkyP-CU</b> Custom finish	call for pricing quote

**Stocked panels** are 15.875" square panels in either real wood veneers noted or White vinyl veneer. Metal also stocked

**Custom Finish** panels can be almost any finish, real wood, fabric, vinyl wraps, metal

**Custom Size** panels could be continuous length panels in 2 to 5 high sizes

## Skywall Ledger Support: required for mounting the Skywall system to the wall



Model	MRSP
<b>SKYLS- B</b>	\$45.00
<b>SKYL-B</b>	\$50.00

Available in single and double wide widths. Double wide width is required for every 2 panel or 2 expansion kits wide

The single wide ledger is used for any system that is only one expansion or panel wide

example: 4 wide system needs 2 double wide ledgers, 5 wide system needs 2 double wide ledgers.

## Skywall metal stud installation for ledgers and braces



Model	MRSP
<b>SKYH4</b> (4 togglers for ledger installation)	\$12.00
<b>SKYH6</b> (6 togglers for brace installation)	\$18.00

Fast, Easy and Secure way to fasten the ledger or braces to any metal stud wall.

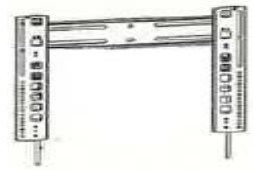
**Skywall Track hardware kits**

Model	MRSP
<b>SKYH5</b> (contains 4 spring nuts)	\$12.00

Spring nuts to mount almost anything to the Skywall track extrusion.

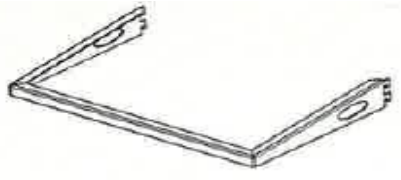
**Skywall TV Support - Tilting low profile TV mounts**

Model	MRSP
<b>SFTM</b> (for 24-46" TVs)	\$119.00
<b>SFTL</b> (for 30-70" TVs)	\$179.00



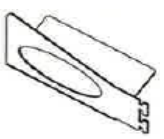
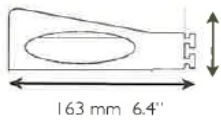



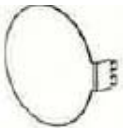
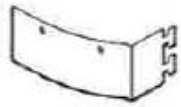
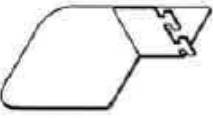
**Skywall Shelving -Glass topped double attach U shaped shelving options**

Model	MRSP
<b>SKY12-</b> B, G, S or C	\$119.00
<b>SKY16-</b> B, G, S or C	\$129.00
<b>SKY22-</b> B, G, S or C	\$179.00



Available in 12", 16" or 22" deep and finished to compliment any Skywall system

**Skywall Accessories- Unique Merchandising Solutions**

Model	MRSP
  <p>A shelf for the remote control. Pair it with the telephone cord style security leash</p> <p>163 mm 6.4"</p>	<p><b>SKYremote-</b> \$30.00</p> <p><b>SKYRcable-</b> \$30.00</p>
 <p>Attach merchandising pegs or signage to this towel bar style accessory</p> <p>460 mm 18.1"</p> <p>18.8 mm 0.74"</p>	<p><b>SKYbar-</b> \$26.00</p>
  <p>Stylishly display any headphones from band style to earbuds</p> <p>50 mm 2.0"</p> <p>128 mm 18.1"</p>	<p><b>SKYHookE-</b> \$22.00 (straight forward style)</p> <p><b>SKYHookS-</b> \$22.00 (angles left or right style)</p>
  <p>Stand out signage options that attach into the vertical extrusions add pop to the product</p> <p><b>SKYS-R</b> \$28.00 (round pop out sign)</p> <p><b>SKYS-S</b> \$28.00 (straight rectangular pop out sign)</p>	
 <p><b>SKY-LC</b> \$28.00 (curved up right pop out sign)</p> <p><b>SKY-RC</b> \$28.00 (curved up left pop out sign)</p>	
<p><b>SKYAPP-</b> \$28.00 (Apple TV shelf)</p>	

ALL accessory pieces are available in the color finish of the Skywalk frames



Cambre Sky Products Ltd.  
www.cambreproducts.com



\*\*\*PRICES subject to change